

SDS104 SERIES ~ SMD Shielded Power Inductors

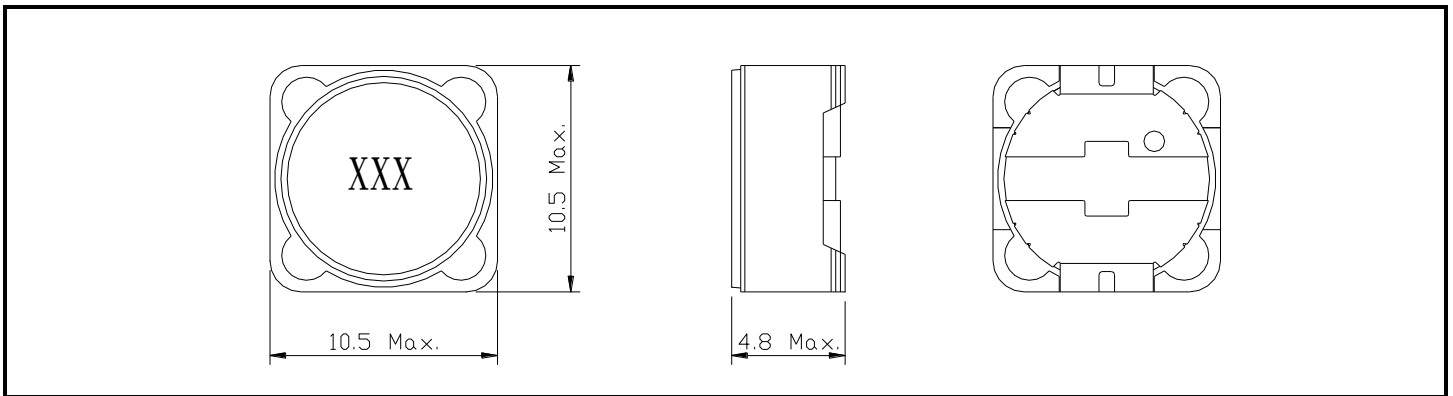


PART NUMBERING SYSTEM

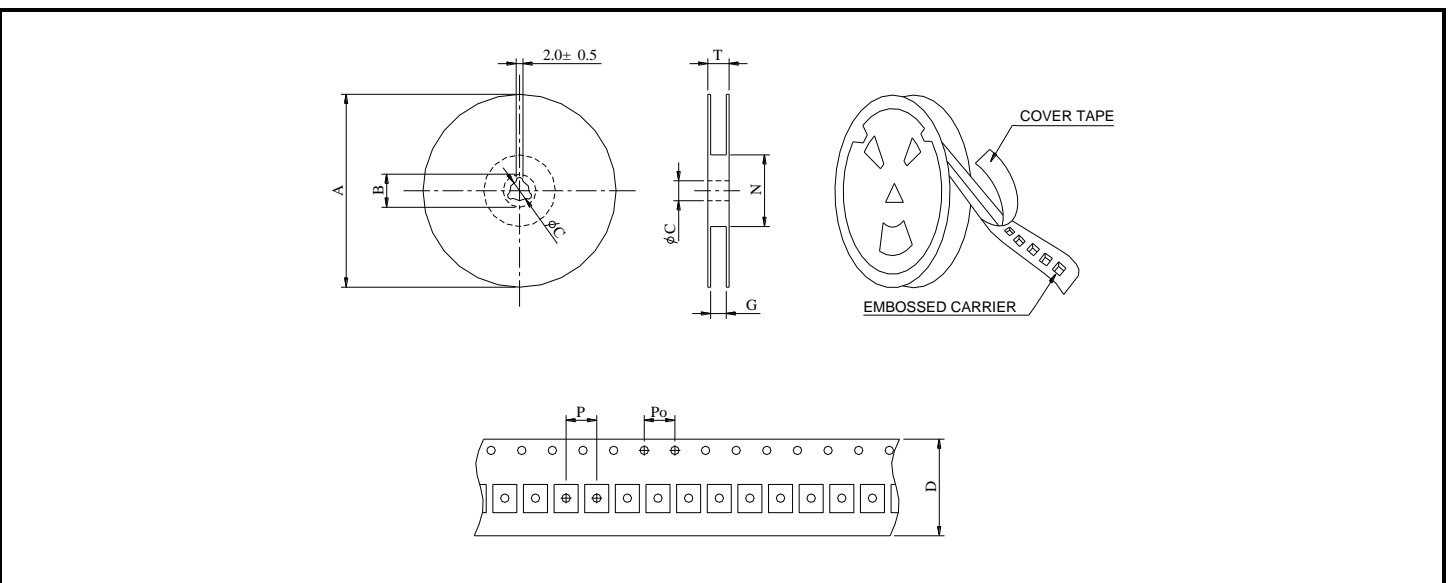
SDS	104	—	100M	—	LF
TYPE	DIMENSIONS		INDUCTANCE		LEAD FREE

SHAPES AND DIMENSIONS

UNIT : mm



PACKAGING SPECIFICATION



SERIES	STAYLE	Q'TY (PCS)	DIMENSIONS (m/m)								
			A	B±0.8	C±0.5	D	G ⁺ 0	N ⁰	P	Po	T
SDS104	13-16	1000	330	21	13	16	18	50	8	4	22.4



SDS104 SERIES ~ SMD Shielded Power Inductors



SPECIFICATION TABLE

PART NUMBER	INDUCTANCE (μ H)	DCR (m Ω) (Max.)	IDC (A) (Max.)	TEST FREQ. (f)
SDS104-4R7N-LF	4.7 \pm 30%	35	3.20	100KHz/1V
SDS104-6R8N-LF	6.8 \pm 30%	44	2.80	100KHz/1V
SDS104-100M-LF	10 \pm 20%	50	2.40	1KHz/1V
SDS104-120M-LF	12 \pm 20%	54	2.25	1KHz/1V
SDS104-150M-LF	15 \pm 20%	61	2.00	1KHz/1V
SDS104-180M-LF	18 \pm 20%	84	1.80	1KHz/1V
SDS104-220M-LF	22 \pm 20%	94	1.65	1KHz/1V
SDS104-270M-LF	27 \pm 20%	110	1.45	1KHz/1V
SDS104-330M-LF	33 \pm 20%	150	1.35	1KHz/1V
SDS104-390M-LF	39 \pm 20%	170	1.20	1KHz/1V
SDS104-470M-LF	47 \pm 20%	210	1.10	1KHz/1V
SDS104-560M-LF	56 \pm 20%	230	1.00	1KHz/1V
SDS104-680M-LF	68 \pm 20%	260	0.93	1KHz/1V
SDS104-820M-LF	82 \pm 20%	360	0.84	1KHz/1V
SDS104-101M-LF	100 \pm 20%	410	0.76	1KHz/1V
SDS104-121M-LF	120 \pm 20%	450	0.70	1KHz/1V
SDS104-151M-LF	150 \pm 20%	640	0.63	1KHz/1V
SDS104-181M-LF	180 \pm 20%	840	0.57	1KHz/1V
SDS104-221M-LF	220 \pm 20%	960	0.52	1KHz/1V
SDS104-271M-LF	270 \pm 20%	1070	0.47	1KHz/1V
SDS104-331M-LF	330 \pm 20%	1370	0.43	1KHz/1V
SDS104-391M-LF	390 \pm 20%	1550	0.39	1KHz/1V
SDS104-471M-LF	470 \pm 20%	1740	0.36	1KHz/1V

- DC current at which the inductance drops 35% (Max.) from its value without current.
- Operating temperature range -40 $^{\circ}$ C to +125 $^{\circ}$ C .
- Electrical specifications at 25 $^{\circ}$ C .